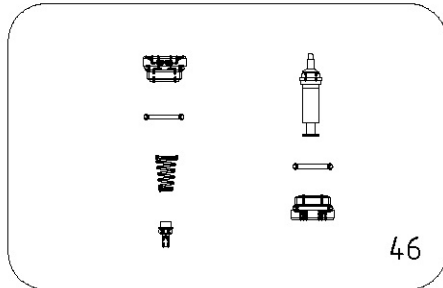
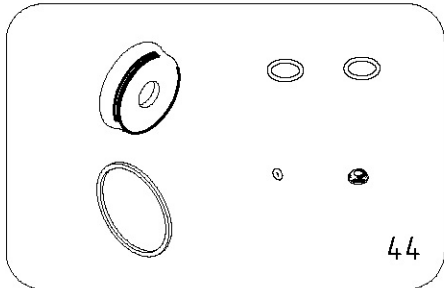
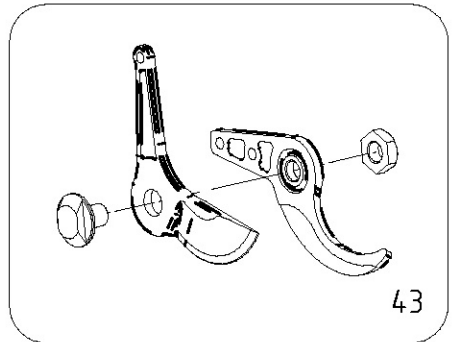
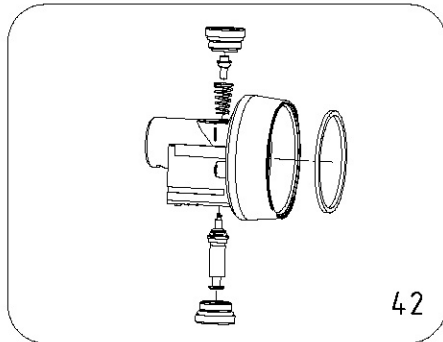
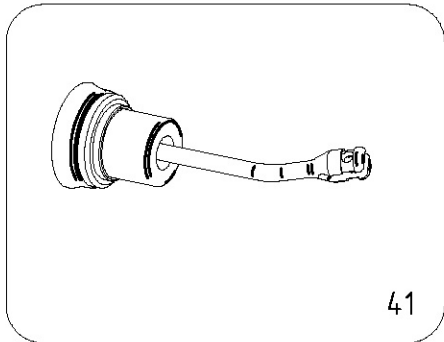
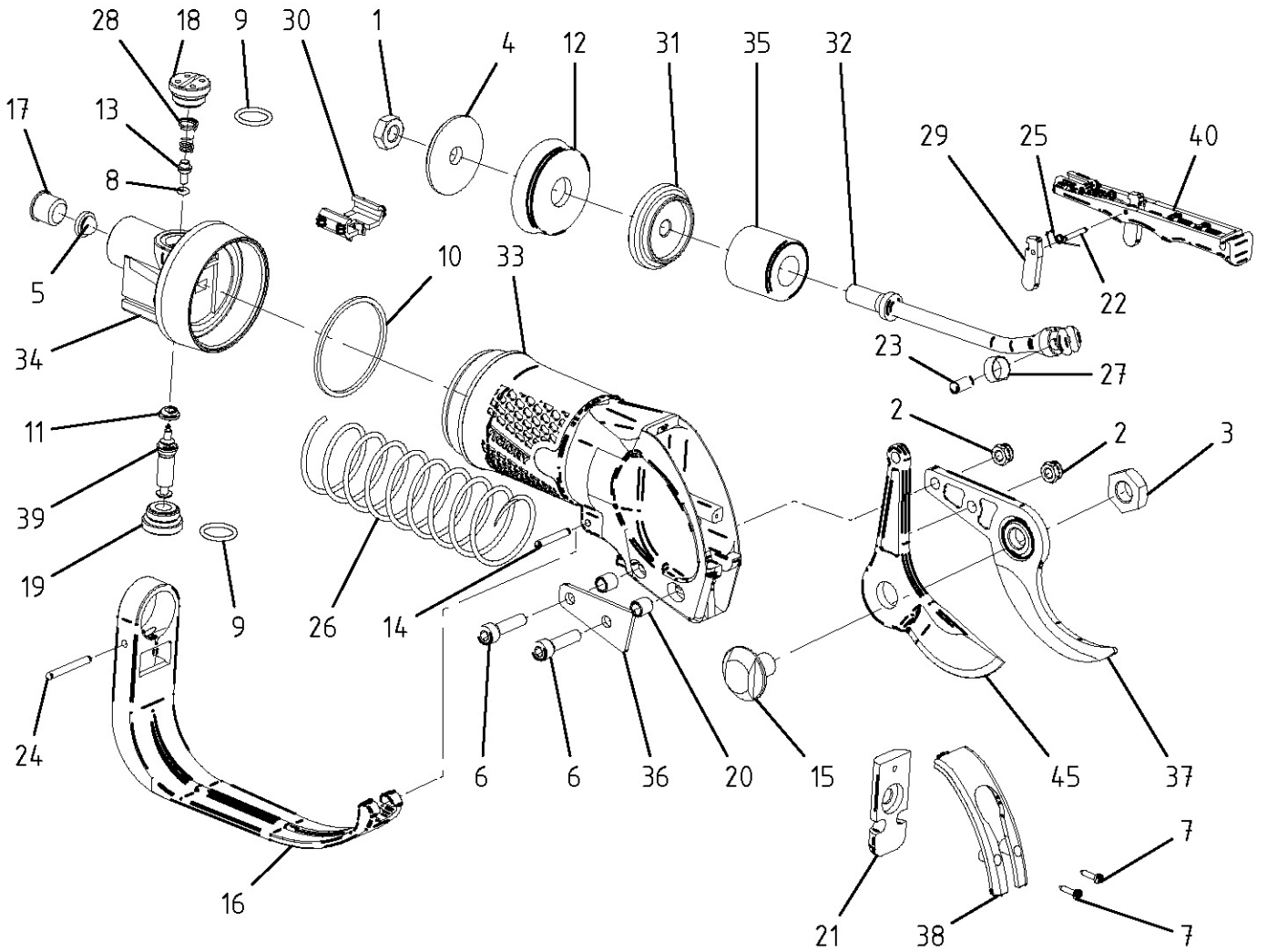


VICTORY

CAMPAGNOLA S.r.l - Tav.: 0350.0123 Release / Versione 00



VICTORY

<u>Ref</u>	<u>Qty</u>	<u>Code</u>	<u>Description</u>
1	1	0100.0118	nut
2	2	0100.0122	nut
3	1	0100.0231	nut
4	1	0101.0216	blade spacer
5	1	0102.0108	air filter
6	2	0106.0146	allen bolt
7	2	0106.0515	screw
8	1	0123.0104	o-ring
9	2	0123.0153	o-ring
10	1	0123.0193	ring seal
11	1	0123.0313	valve stem seal
12	1	0123.0314	piston seal
13	1	0125.0114	pin valve w/o-ring
14	1	0125.0146	pin
15	1	0125.0262	blade bolt
16	1	0132.0371	handle guard
17	1	0133.0109	end cap
18	1	0133.0110	end cap w/o-ring
19	1	0133.0111	lower end cap w/o-ring
20	1	0134.0159	spacer
21	1	0142.0121	front dust seal
22	1	0159.0103	roll pin
23	1	0159.0132	roll pin
24	1	0159.0140	roll pin
25	1	0164.0141	safety spring
26	1	0164.0142	piston spring
27	1	0164.0161	rivet cap
28	1	0164.0223	valve spring
29	1	0168.0107	safety
30	1	0168.0117	safety catch
31	1	0169.0148	piston
32	1	0170.0124	connecting rod
33	1	0171.0359	cylinder body
34	1	0171.0360	valve body
35	1	0173.0122	shock absorber
36	1	0174.0130	blade plate
37	1	0175.0172	anvil
38	1	0183.0176	front cover
39	1	6129.0016	valve stem & seal
40	1	6148.0013	trigger
41	1	6169.0012	connecting rod/piston assembly
42	1	6171.0067	valve body complete
43	1	6175.0010	blade/anvil assembly
44	1	PACK.1630	seal kit
45	1	PACK.1640	blade
46	1	PACK.1650	valve kit