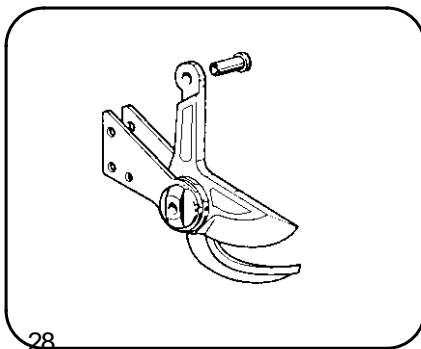
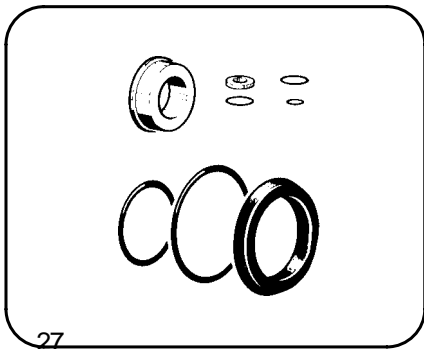
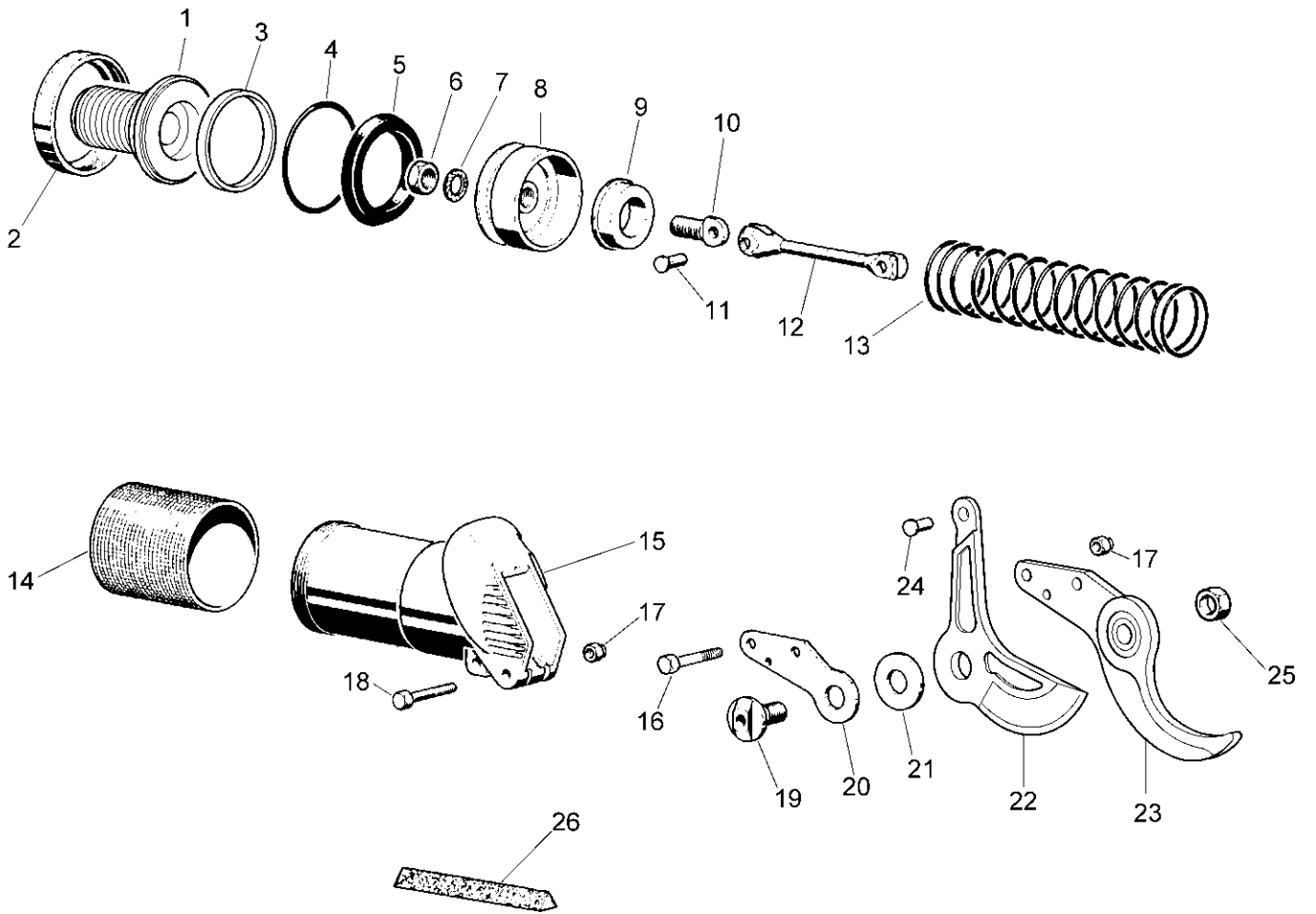


"SE-4" w/adapter for Extension Pole

Release 01 (11/06)



SE-4 w/adaptor for Extension Pole

<u>Ref</u>	<u>Qty</u>	<u>Code</u>	<u>Description</u>
1	1	0166.0124	pole adaptor
2	1	0161.0113	ring collar
3	1	0128.0158	spacer (new 12-07)
4	1	0123.0118	o-ring
5	1	0123.0119	piston ring
6	1	0100.0115	nut
7	1	0101.0119	lock washer
8	1	0169.0109	piston
9	1	0173.0102	rubber stopper
10	1	0160.0112	piston link
11	1	0177.0101	rivet
12	1	0170.0105	rod
13	1	0164.0110	piston spring
14	1	0141.0104	handle grip
15	1	0171.0109	cylinder body
16	1	0106.0145	bolt
17	2	0100.0101	self-locking nut
18	1	0106.0144	bolt
19	1	0125.0121	blade bolt
20	1	0174.0103	blade support
21	1	0101.0121	blade spacer
22	1	0175.0163	blade (new 12-07, requires 0175.0164 & 0128.0158)
23	1	0175.0164	anvil (new 12-07)
24	1	0177.0102	blade rivet
25	1	0100.0112	self-locking nut
26	1	0180.0100	sharpening stone
27		PACK.0203	gasket set
28		6175.0007	complete blade assembly