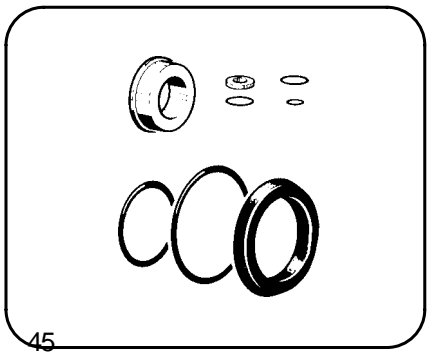
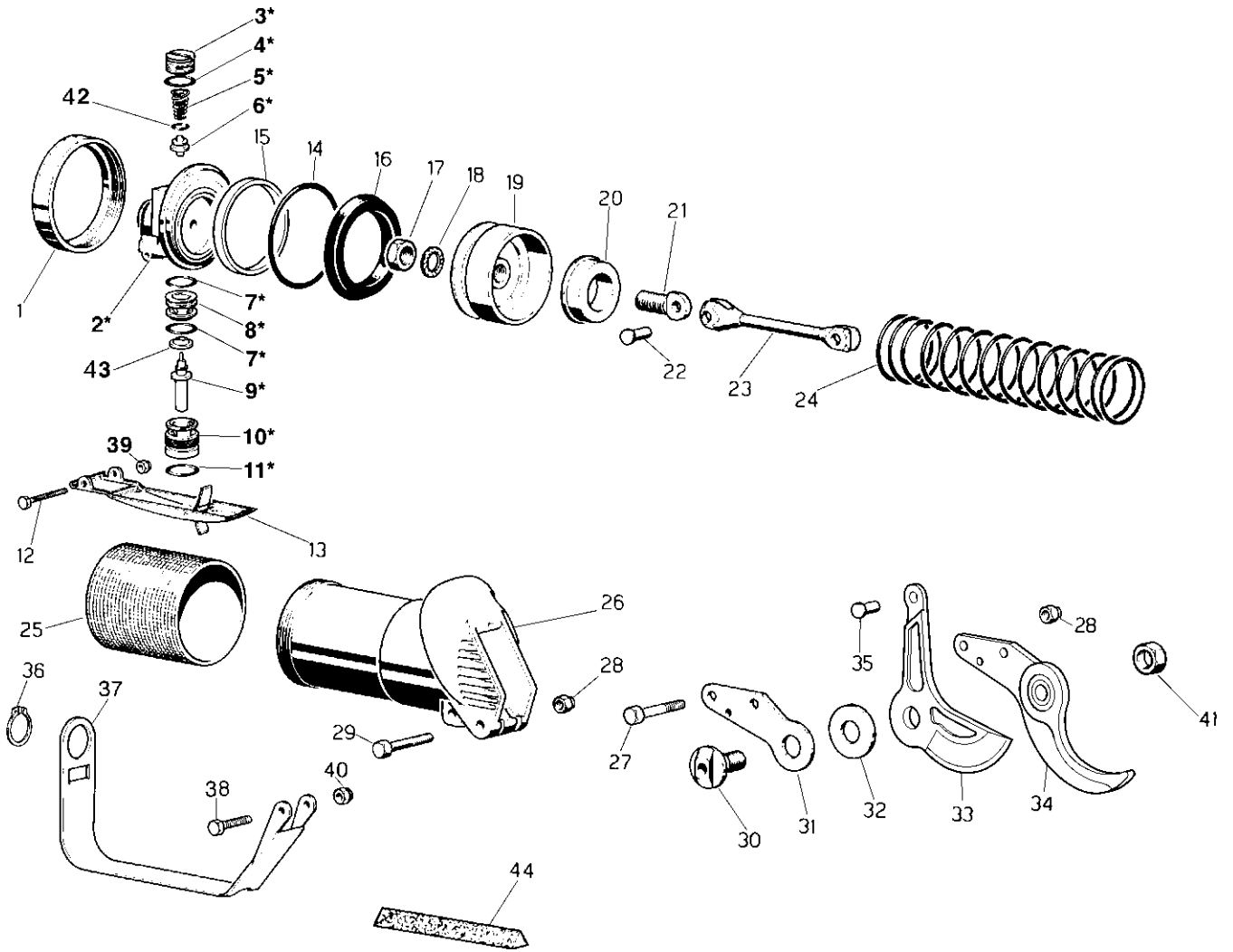


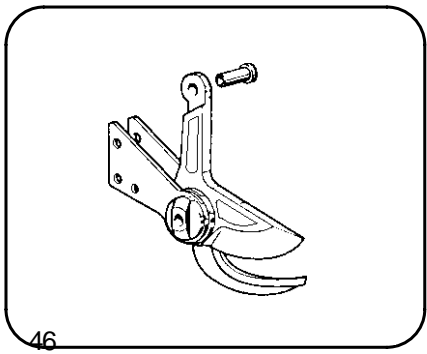
# "SE-4" Hand-held

Release 01 (11/06)



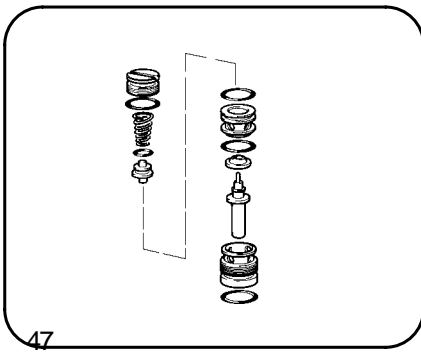
45

270107



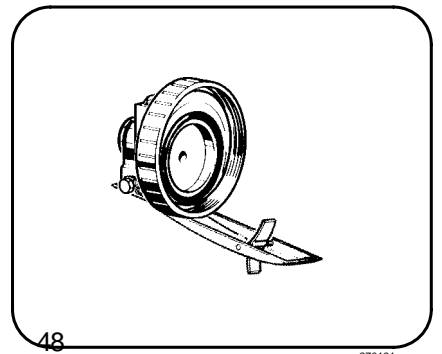
46

270104



47

270130



48

270131

# SE-4 Hand-held

<u>Ref</u>	<u>Qty</u>	<u>Code</u>	<u>Description</u>
1	1	0161.0102	ring collar
2	1	0171.0125	valve body
3	1	0133.0147	valve holder
4	1	0123.0113	o-ring
5	1	0164.0131	spring
6	1	0125.0108	valve
7	2	0123.0108	o-ring
8	1	0128.0107	valve
9	1	0129.0102	pin valve
10	1	0133.0146	guide seal
11	1	0123.0153	o-ring
12	1	0106.0141	trigger bolt
13	1	0148.0106	trigger & safety
14	1	0123.0118	o-ring
15	1	0128.0158	spacer (new 12-07)
16	1	0123.0119	piston ring
17	1	0100.0115	nut
18	1	0101.0119	lock washer
19	1	0169.0109	piston
20	1	0173.0102	rubber stopper
21	1	0160.0112	piston link
22	1	0177.0101	rivet
23	1	0170.0105	rod
24	1	0164.0110	piston spring
25	1	0141.0104	handle grip
26	1	0171.0109	cylinder body
27	1	0106.0145	bolt
28	2	0100.0101	self-locking nut
29	1	0106.0144	bolt
30	1	0125.0121	blade bolt
31	1	0174.0103	blade support
32	1	0101.0121	blade spacer
33	1	0175.0163	blade (new 12-07, requires 0175.0164 & 0128.0158)
34	1	0175.0164	anvil (new 12-07)
35	1	0177.0102	blade rivet
36	1	0126.0108	external lock ring
37	1	0132.0115	handle
38	1	0106.0142	bolt
39	1	0100.0117	self-locking nut
40	1	0100.0150	self-locking nut
41	1	0100.0112	self-locking nut
42	1	0123.0290	o-ring
43	1	0123.0161	seal
44	1	0180.0100	sharpening stone
45		PACK.0203	gasket set
46		6175.0007	complete blade assembly
47		PACK.0205	valve kit
48		PACK.0206	valve body complete