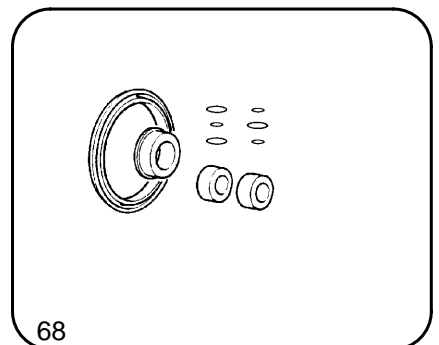
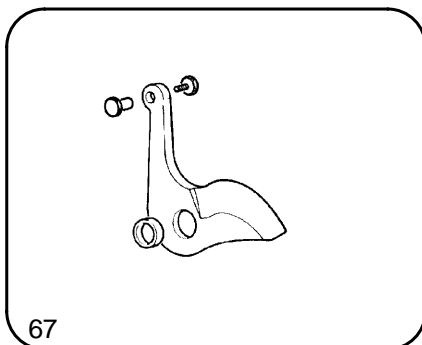
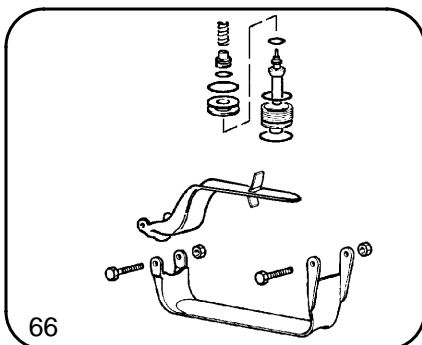
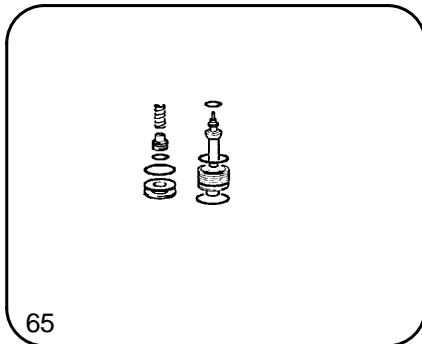
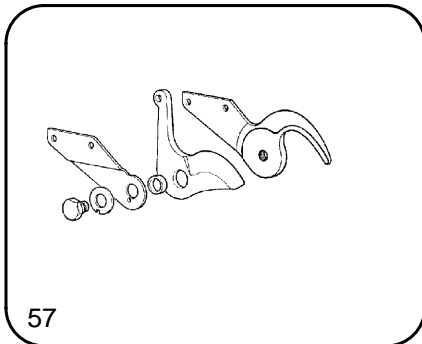
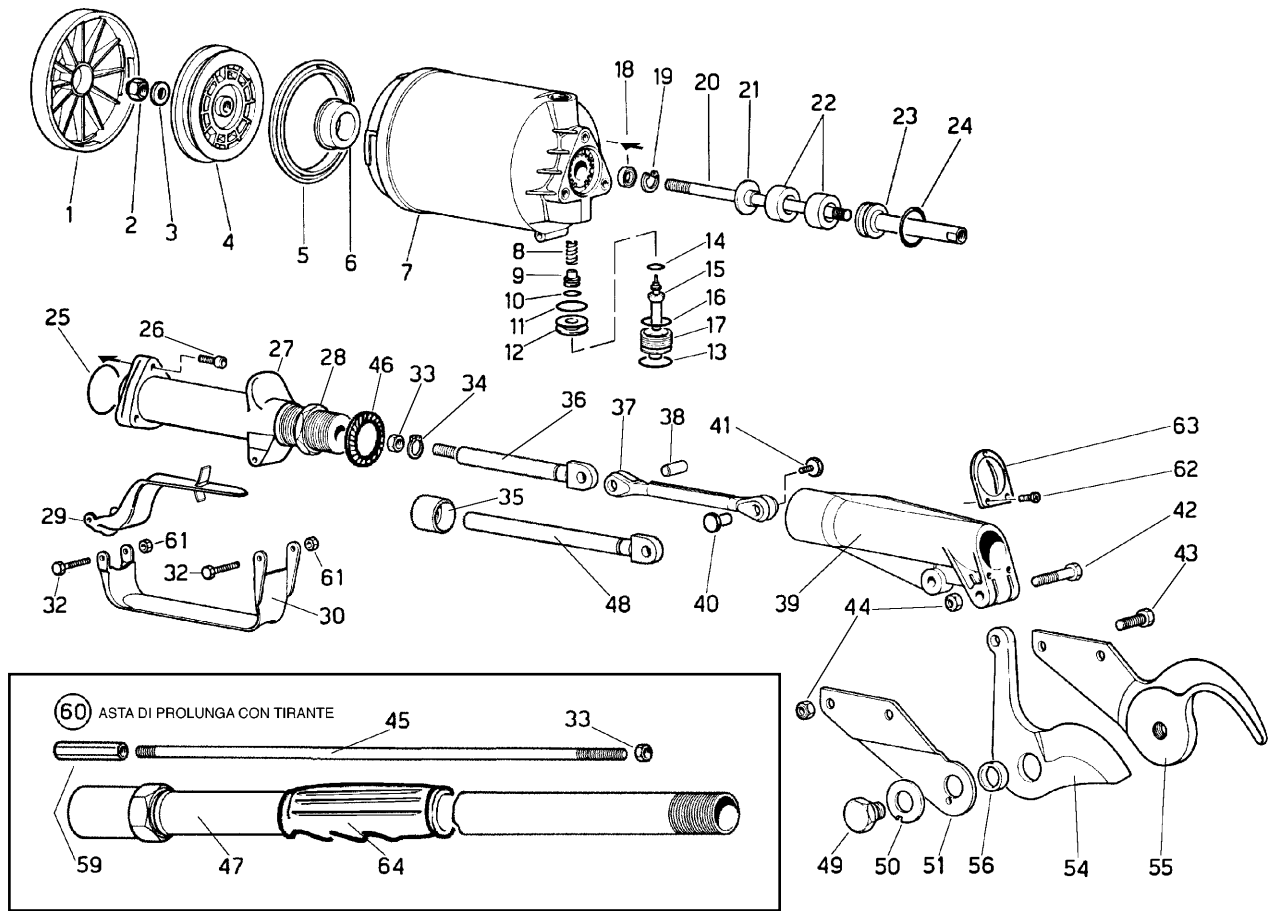


"SE-6A/SE-6B"

Release 02 (06/05)



SE-6 A/B

<u>Ref</u>	<u>Qty</u>	<u>Code</u>	<u>Description</u>	<u>Ref</u>	<u>Qty</u>	<u>Code</u>	<u>Description</u>
1	1	0183.0100	piston cover	44	2	0100.0119	self-locking nut
2	1	0100.0154	self-locking nut	45	1	0103.0104	inside rod .5m
3	1	0101.0112	washer	45	1	0103.0105	inside rod 1m
4	1	0169.0110	piston	45	1	0103.0106	inside rod 1.5m
5	1	0123.0120	piston ring	45	1	0103.0107	inside rod 2m
6	1	0173.0102	rubber stopper	45	1	0103.0108	inside rod 2.5m
7	1	0171.0110	cylinder body	46	1	0101.0124	locking washer
8	1	0164.0111	spring	47	1	0165.0111	outside tube .5m
9	1	6133.0002	seal	47	1	0165.0112	outside tube 1m
10	1	0123.0138	o-ring	47	1	0165.0113	outside tube 1.5m
11	1	0123.0121	o-ring	47	1	0165.0114	outside tube 2m
12	1	0128.0129	seal holder	47	1	0165.0115	outside tube 2.5m
13	1	0123.0123	o-ring	48	1	0125.0123	rod
14	1	0123.0138	o-ring	49	1	0125.0124	blade bolt
15	1	6129.0001	valve stem & seal	50	1	0101.0123	special lock washer
16	1	0123.0200	o-ring	51	1	0174.0104	blade support
17	1	6133.0003	valve end	54	1	0175.0136	blade
18	1	0123.0124	gasket	55	1	0175.0137	anvil
19	1	0126.0110	spring clip	56	1	0134.0103	washer/spacer
20	1	0103.0103	rod to air piston	57	1	PACK.0307	complete blade assembly
21	1	0184.0100	plate	59	1	0100.0120	special connecting nut
22	2	0173.0103	rubber stopper	60	1	EXR-02	rod ext. complete .5m
23	1	0169.0111	piston rod	60	1	EXR-04	rod ext. complete 1m
24	1	0123.0125	o-ring	60	1	EXR-05	rod ext. complete 1.5m
25	1	0123.0105	o-ring	60	1	EXR-06	rod ext. complete 2m
26	3	0106.0156	allen bolt	60	1	EXR-09	rod ext. complete 2.5m
27	1	0108.0191	cylinder body	61	2	0100.0105	self-locking nut
28	1	0161.0103	locking nut	62	3	0106.0226	screw
29	1	6148.0002	trigger	63	1	0123.0173	dust shield
30	1	0132.0162	handle guard	64	1	0141.0115	hand grip
32	2	0106.0240	handle pin	65		PACK.0304	valve kit
33	1	0100.0130	nut	66		PACK.0305	valve modification kit
34	1	0126.0111	spring clip	67		PACK.0303	blade kit
35	1	0169.0112	nylon piston guide	68		PACK.0301	gasket set
37	1	0170.0103	rod				
38	1	0159.0104	connecting pin				blade & anvil for SE-6A (hook type)
39	1	0108.0114	housing support	*54		0175.0134	blade
40	1	0125.0151	end pin	*55		0175.0135	anvil
41	1	0106.0241	retaining bolt				
42	1	0106.0147	bolt				
43	1	0106.0279	bolt				